

INSTALLATION INSTRUCTIONS

4221

Honda Passport 4DR 2 & 4X4 98 - 02

Isuzu Rodeo 4DR. 2 & 4X4 98 - 02

Parts List:

QTY

- (1) Sidebars Set
- (2) Mounting Front Brackets (Driver & Passanger Side)
- (2) Mounting Rear Brackets (Driver & Passanger Side)

- (1) Hardware kit including :
 - (8) 3/8-13 x 1" Hex Head Bolt
 - (16) 3/8" Flat washers
 - (8) 3/8" Hex Nuts
 - (8) 3/8-16 x 1" Button Hd Capscrew
 - (8) 3/8" Internal Tooth Lock Washer

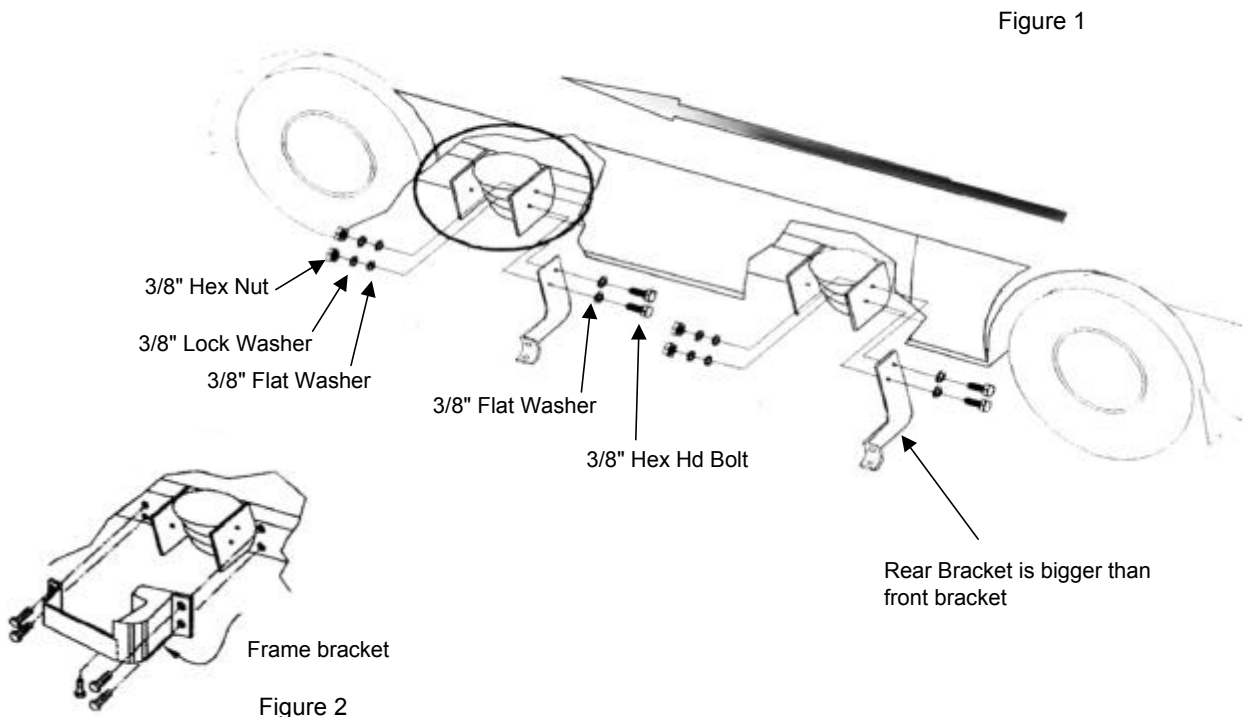
Tools Required :

- | | | |
|--------------|--------------------------|---------------|
| 9/16" Socket | 9/16" Wrench | Ratchet |
| 14 mm Socket | 7/32" Hex Wrench (Allen) | Torque wrench |

Installation Instructions:

- 1.- Read and understand instructions completely before begining installation.
- 2.- Side bar sets consist of a driver and passenger side bar. Be sure to determine the correct side before installation.
- 3.- On 2000 model year vehicles, locate and remove the passenger/driver side brackets shown in Figure 2. Set these aside to be reinstalled later if step bar are removed. (use 14 mm socket to remove the 5 bolts as shown).
- 4.- Install front and rear brackets to vehicle body. Figure 1. Do not tighten.
- 5.- Place Side bar on the mount tabs extending from the brackets. Align holes in the tube with the holes in the mount tabs. Hold tube in place and hand tighten the hardware attaching Side bar to the brackets. See figure 3.
- 6.- Make sure Side bar is properly aligned with the vehicle body. Tighten and torque the hardware attaching Side bar to brackets to 30 Ft lbs.

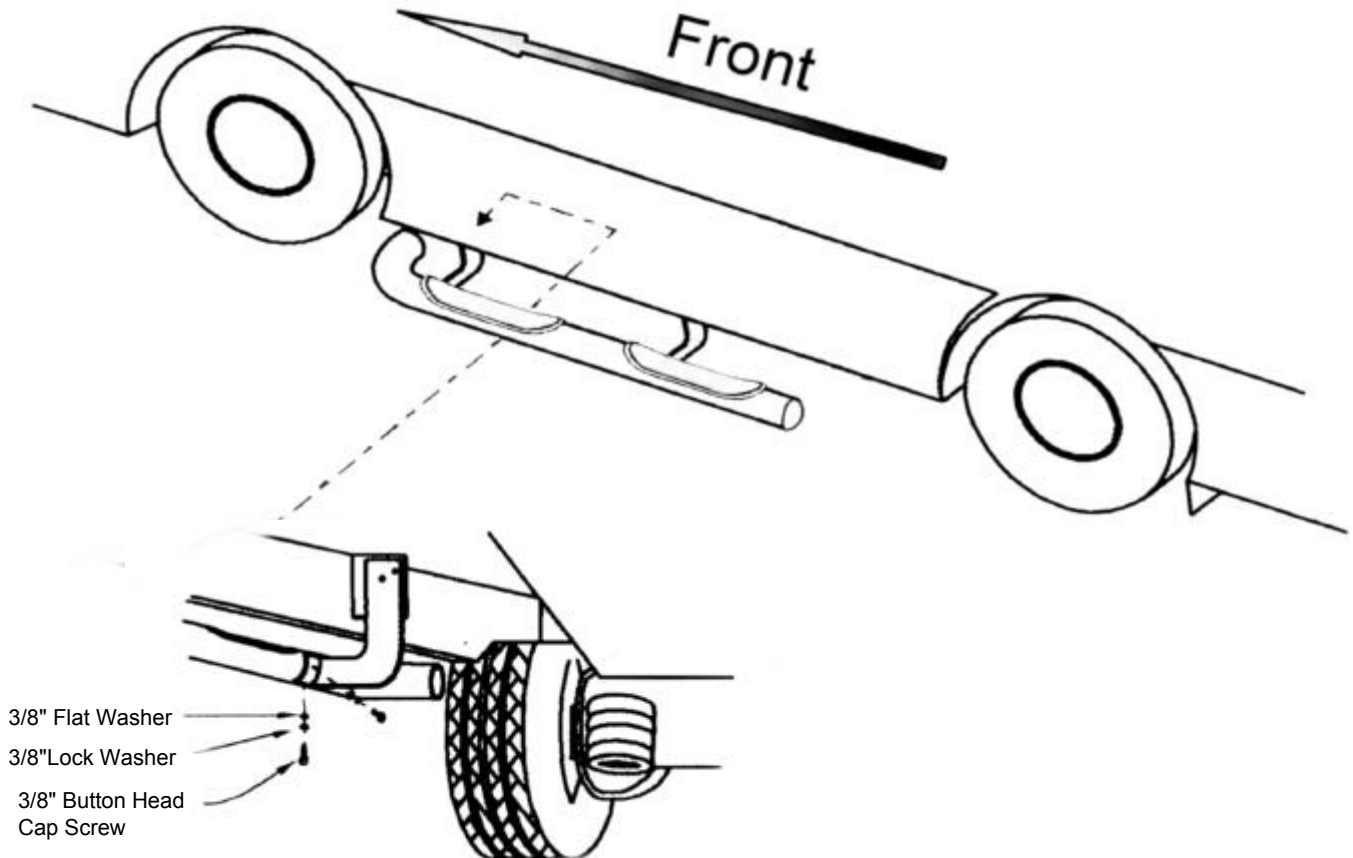
Assembly Diagram:



INSTALLATION INSTRUCTIONS

4221

Figure 3



Cleaning and care Instructions :

Protect the finish with a non-abrasive automotive wax, (e.g. Pure Carnauba) on a regular basis. The use of any soap, polish, or wax that contains an abrasive is detrimental to the finish, as the compounds scratch the finish and cause corrosion.