

# INSTALLATION INSTRUCTIONS

## 37078 Sidebar

00 – 03 Chevy Tahoe, Yukon, Sonora 4 Dr.

### Parts List:

#### QTY

P01 (1) Sidebar set  
(Driver & Passenger)  
P02 (2) Front mounting brackets  
P03 (2) Rear mounting brackets  
P04 (2) Central mounting brackets  
P05 (4) Spacer washer

#### (1) Hardware kit including:

T01 (4) 1/2 x 1 1/2" Hex head bolt  
T02 (6) M12 x 120mm Hex head bolt  
T03 (10) 1/2" Flat washer  
T04 (10) 1/2" Lock washer  
T05 (2) 3/8 x 1" Hex head bolt  
T06 (2) 3/8" Flat washer  
T07 (2) 3/8" Lock washer

### Tools required:

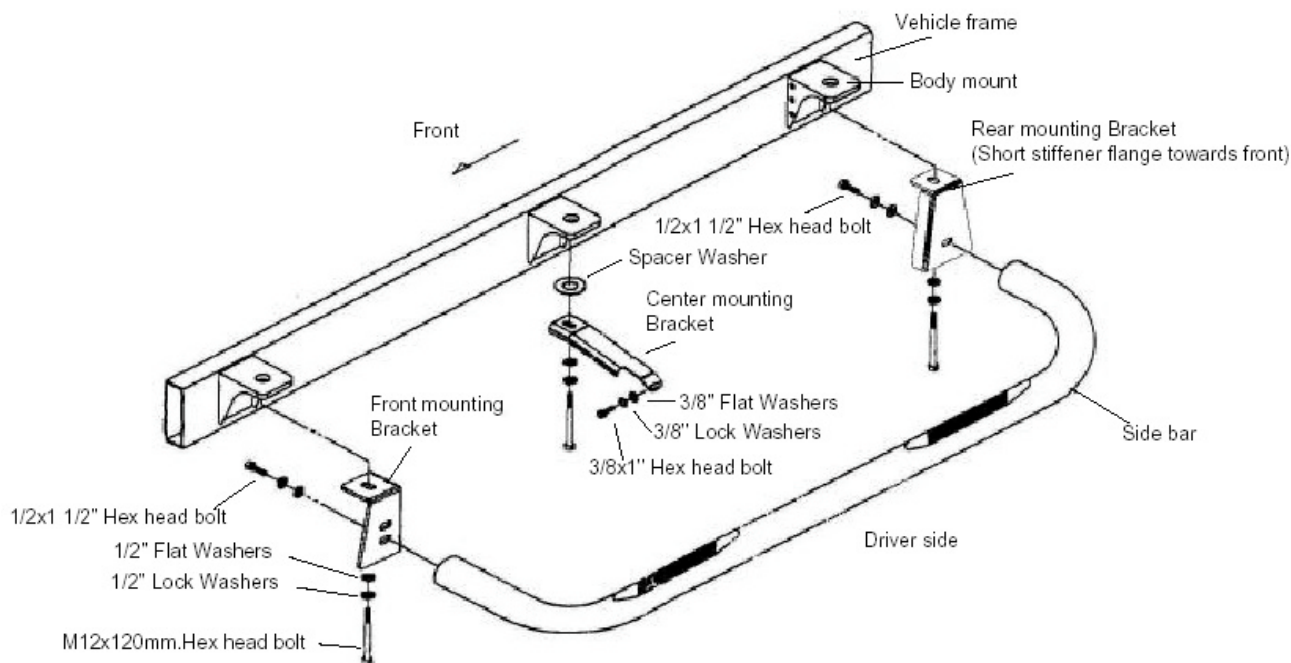
3/4" Socket      Ratchet  
18mm Socket    19mm Socket

### Instructions:

**Aproximated installation time: 30 min.**

1. Read and understand instructions completely before beginning installation.
2. Sidebar set consist of a driver and passenger side. Be sure to determinate the correct side before installation.
3. Remove the six applicable body mounting bolts from the vehicle. These bolts are not reused in this installation. The body steel washer plates and rubber cushions are reused between the body mount and the sidebar mounting brackets.
4. Position de mounting brackets up under the body mounts. Install M12 x 120mm hex head bolt, 1/2" flat and lock washers through the hole in the mounting bracket and the body mounting washer plate and rubber cushion as shown. Note: Place a spacer washer between the central mouting bracket and the body mounting washer plate and rubber cushion.
5. Place the sidebar up to the front and rear mounting brackets and bolt using the 1/2 x 1 1/2" hex head bolt, flat and lock washer. Secure to the central mounting brackets using 3/8 x 1" hex head bolts, flat and lock washers. Leave loose.
6. Make any final adjustments to the alignment of the sidebar and tighten all bolts. Repeat for the opposite side.
7. You may need to periodically re-tighten the bolts.

### Assembly Diagram:



### Cleaning and care instructions:

Diseño:

Calidad:

Protect the finish with a non-abrasive automotive wax, (e.g. Pure Carnauba) on a regular basis. The use of any soap, polish, or wax that contains an abrasive is detrimental to the finish, as the compounds scratch the finish and cause corrosion.